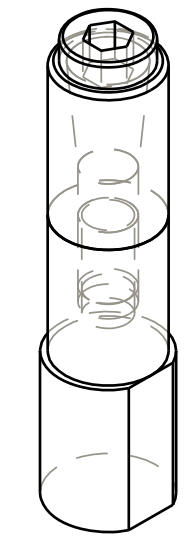
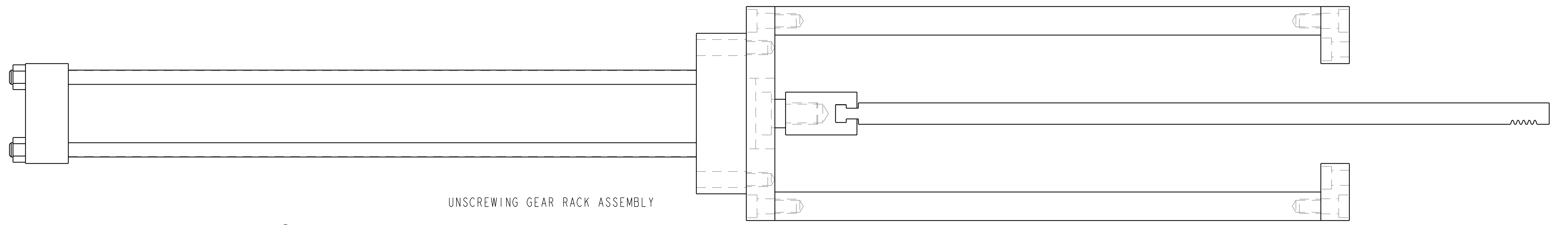


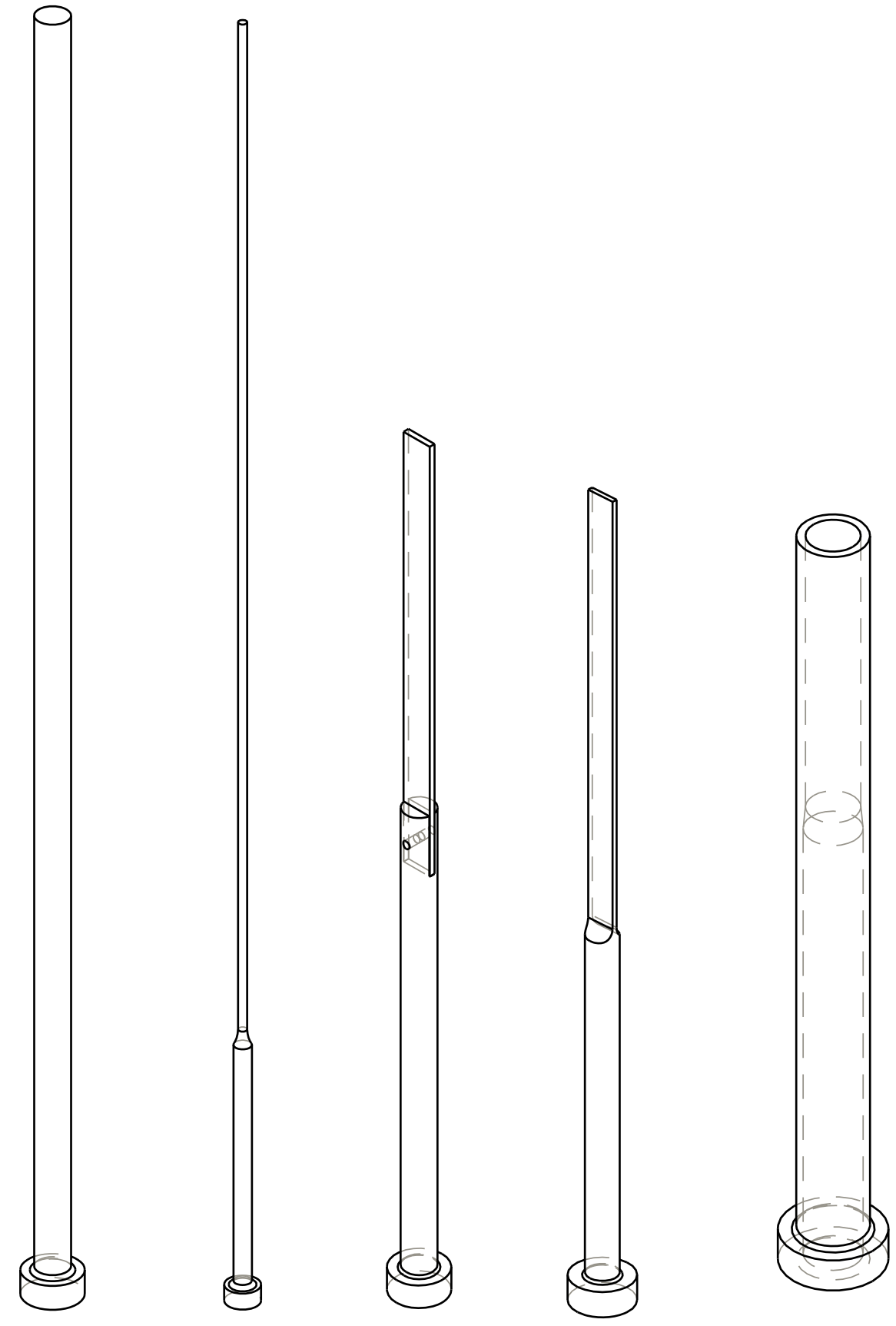
ACCELERATED EJECTOR ASSEMBLY



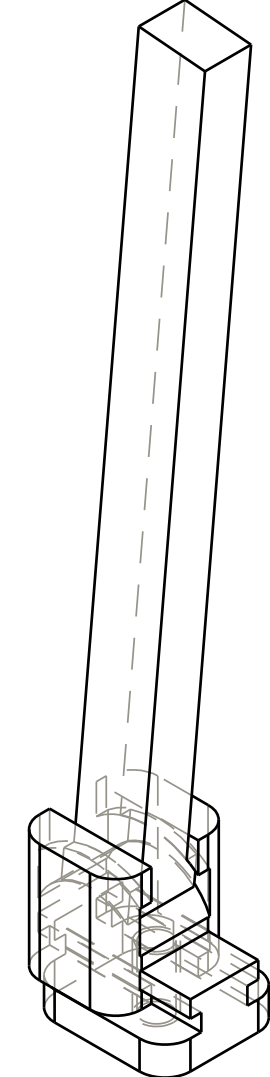
FRICTION PULLER



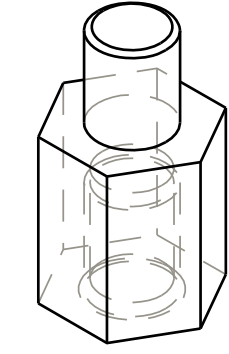
UNSCREWING GEAR RACK ASSEMBLY



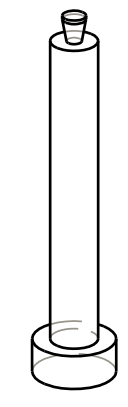
EJECTOR PINS, BLADES AND SLEEVES



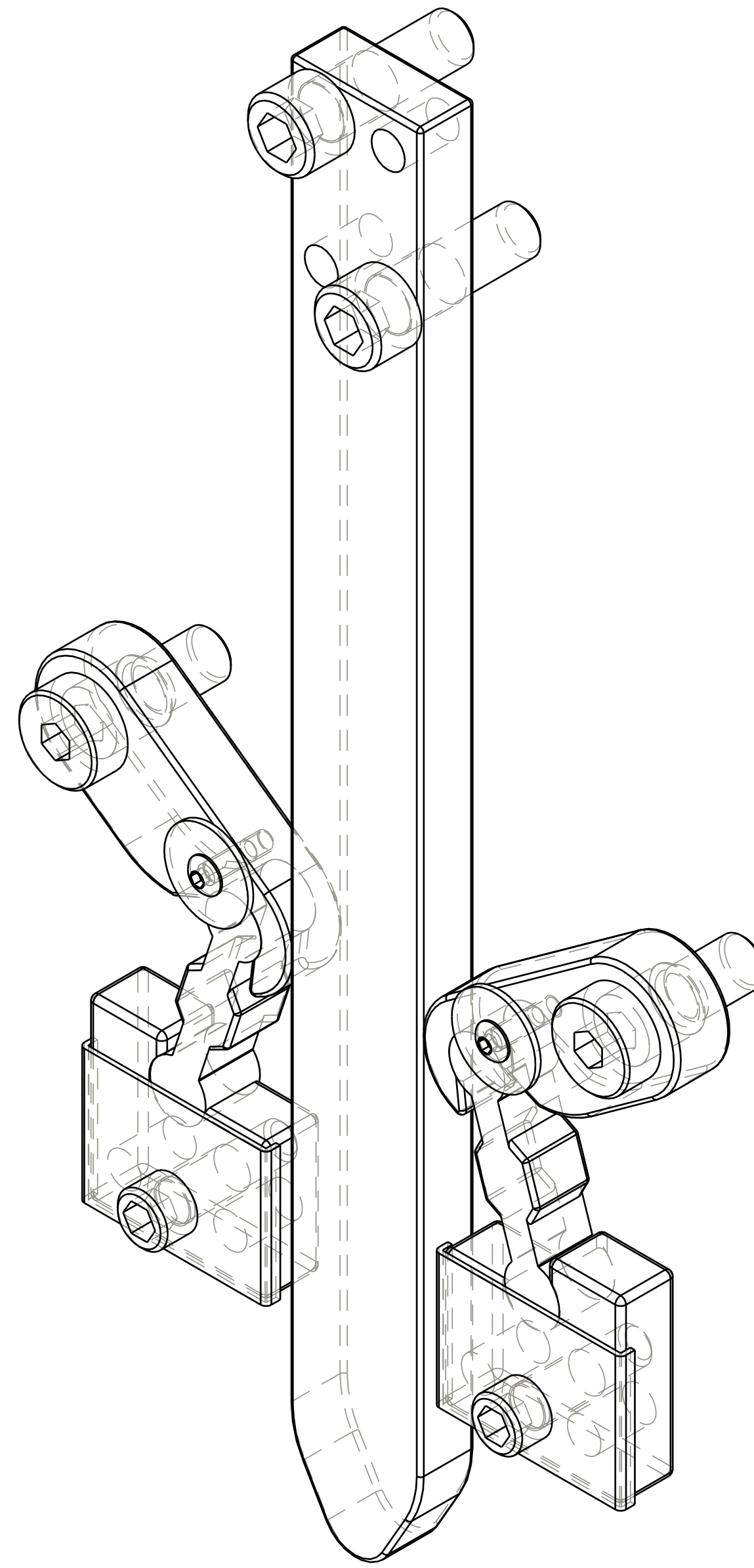
UNLIFTER



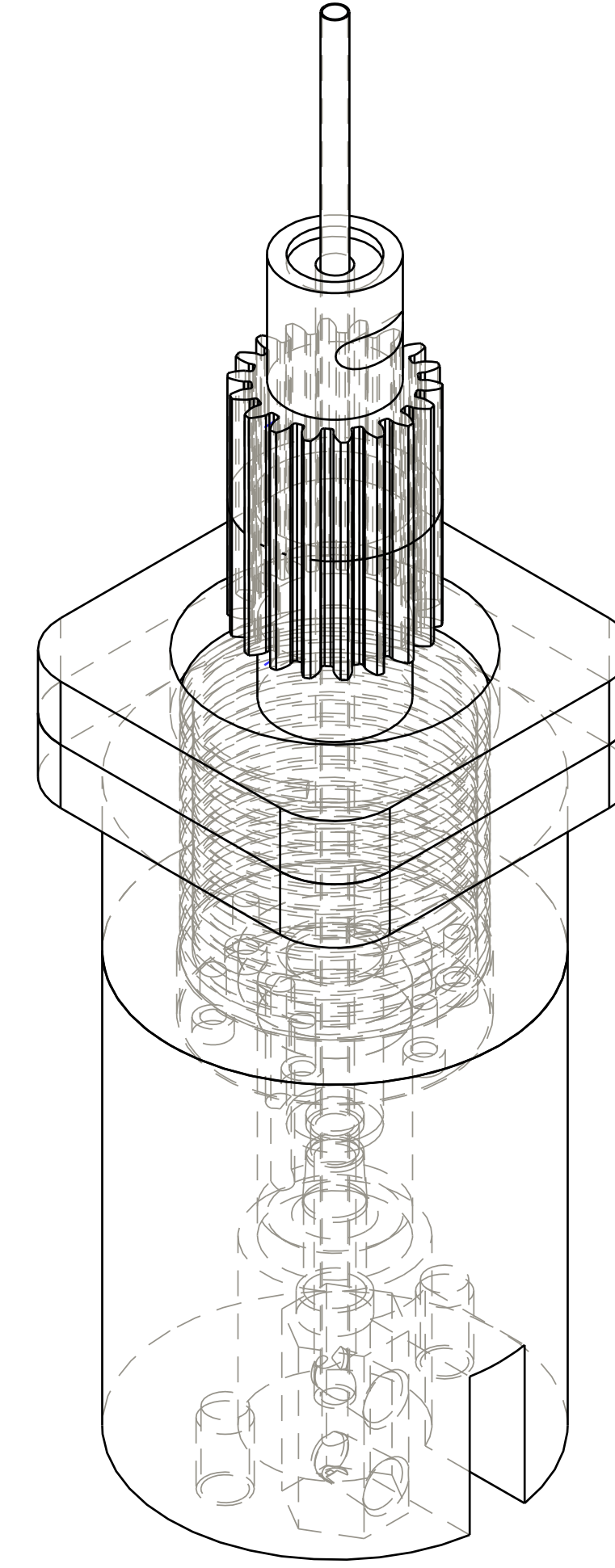
KNOCKOUT COUPLER



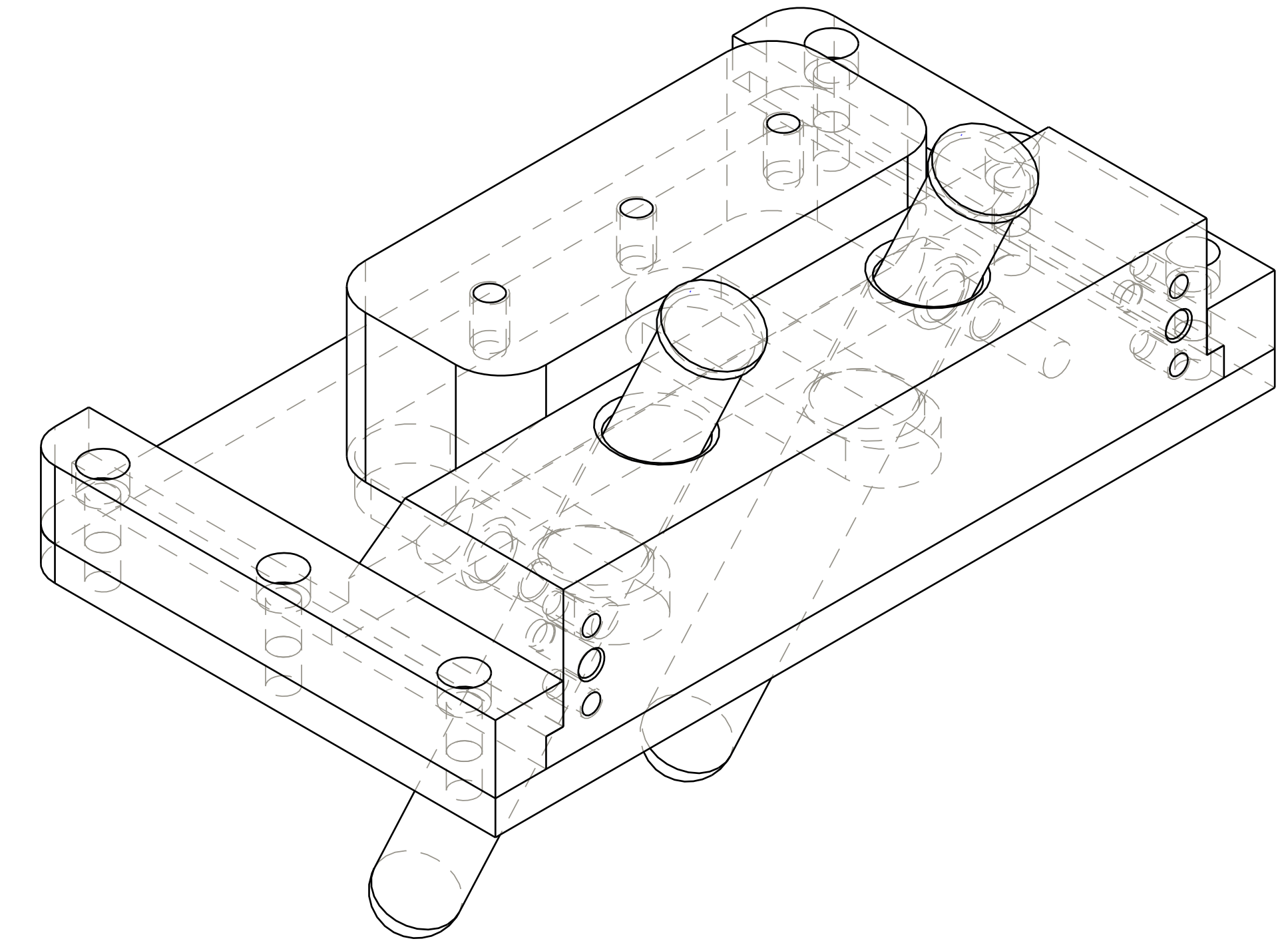
SUCKER PINS



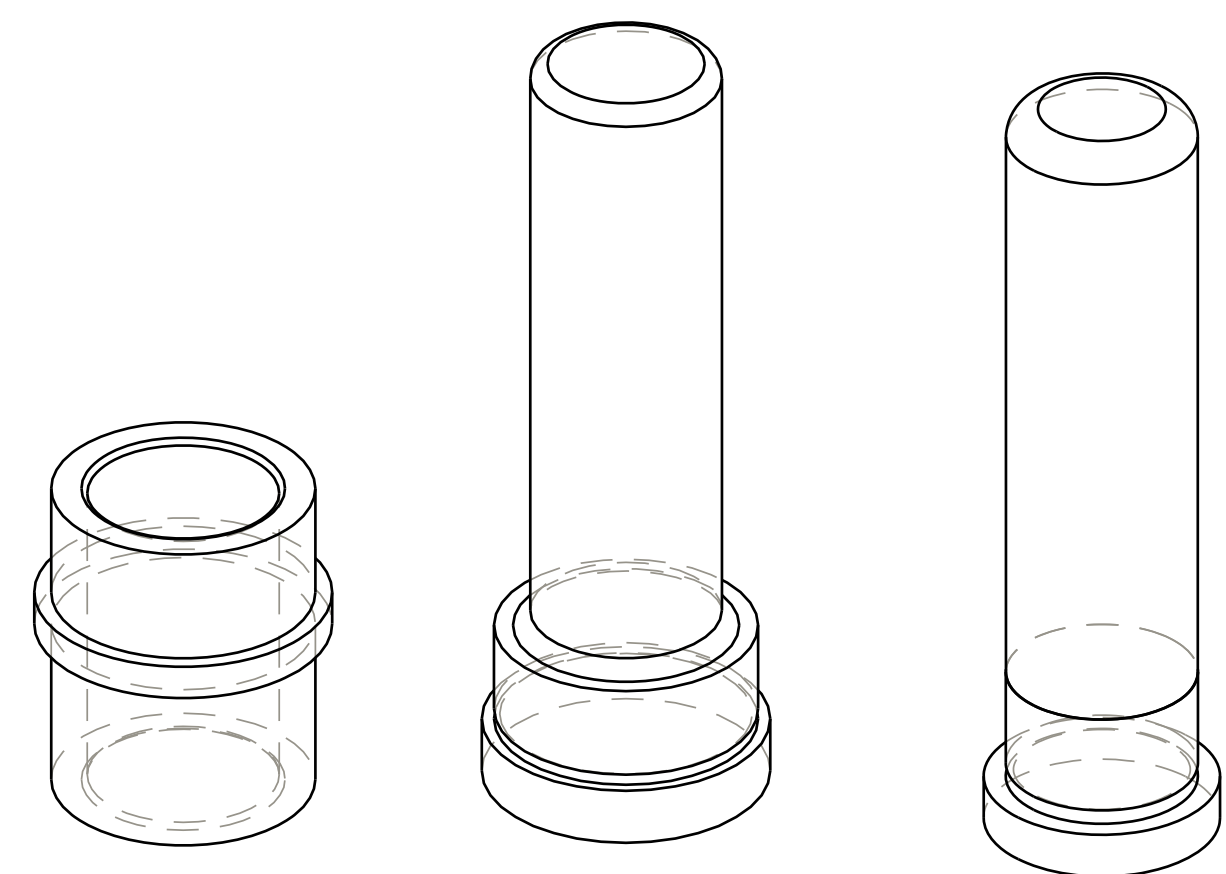
TOGGLE LOK ASSEMBLIES



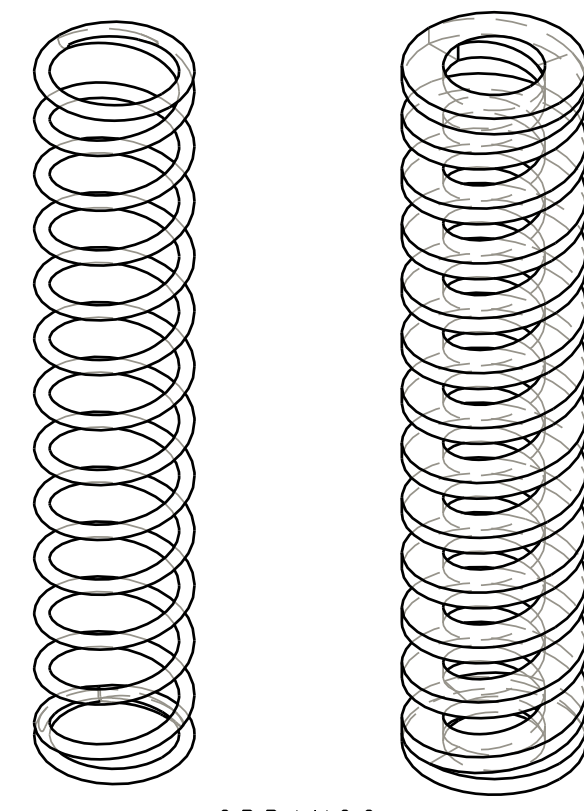
UNSCREWING CORE ASSEMBLIES



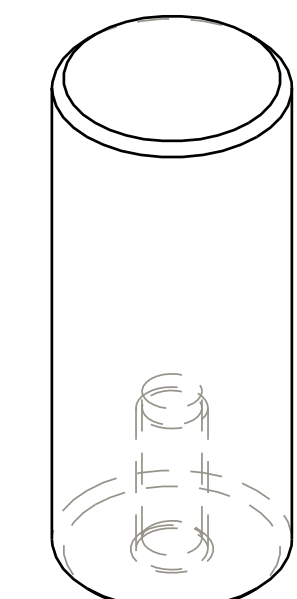
ONE AND TWO PIN SLIDE ASSEMBLIES



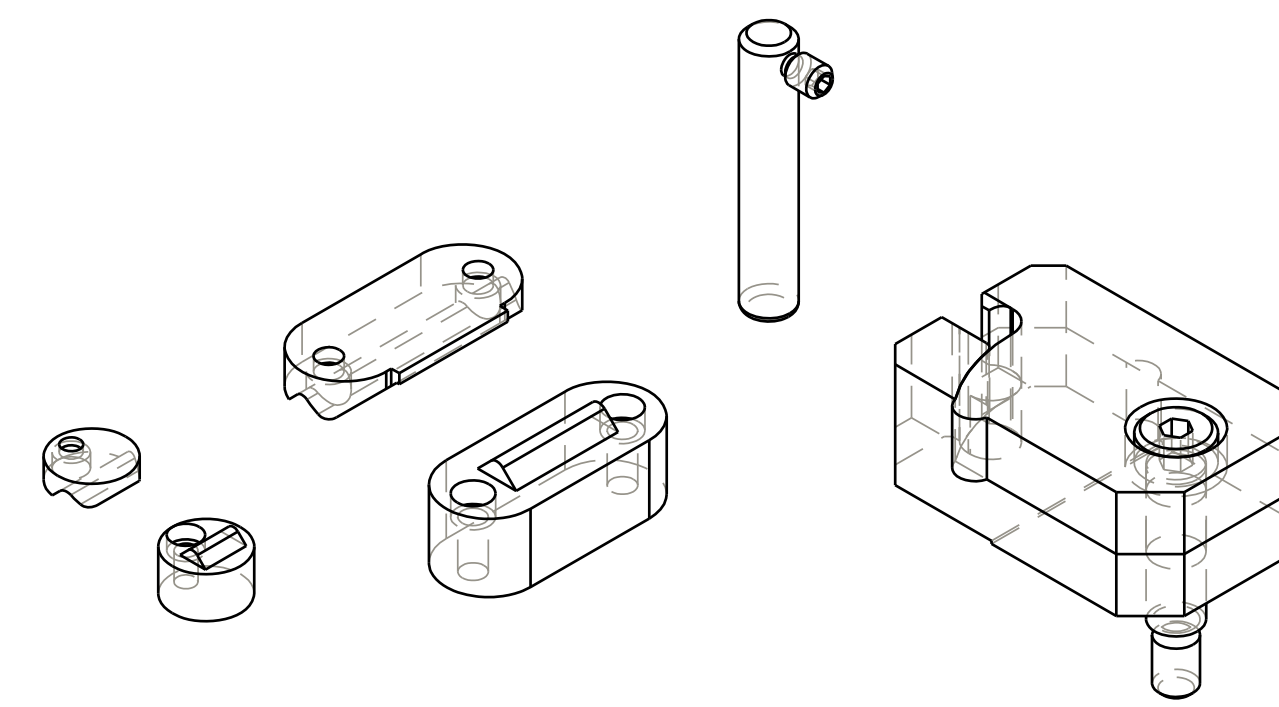
GUIDED EJECTOR BUSHINGS AND PINS



SPRINGS



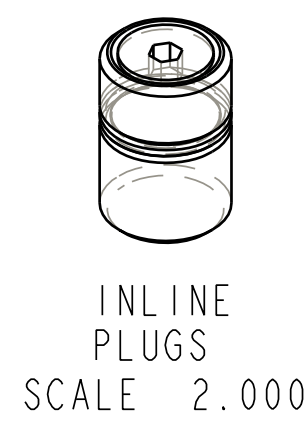
SUPPORT PILLARS



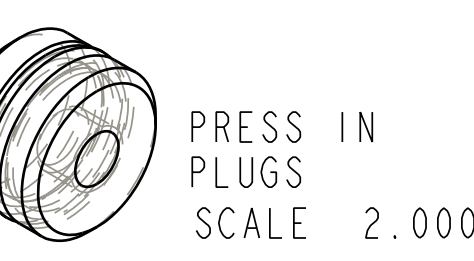
SLIDE RETAINER ASSEMBLIES



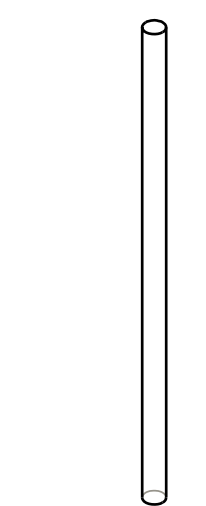
O-RINGS



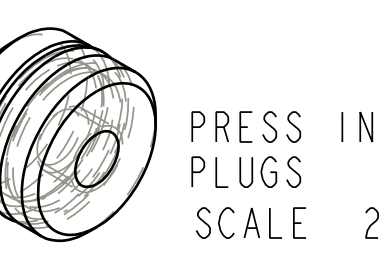
INLINE PLUGS



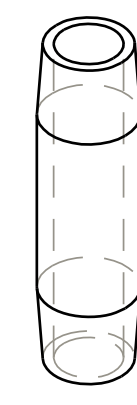
PRESS IN PLUGS



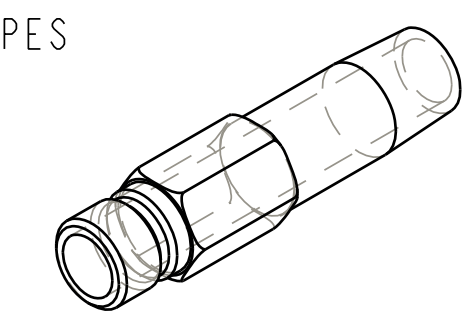
THERMAL PIN



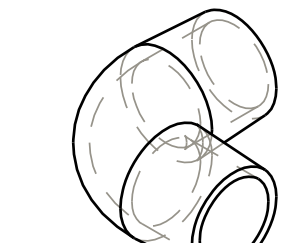
NPT PLUGS



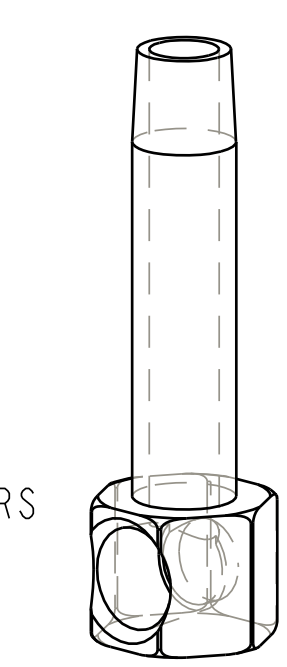
PIPES



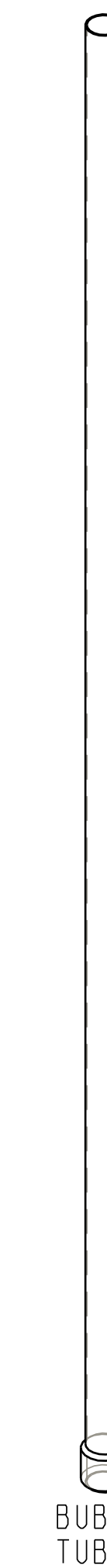
CONNECTORS & EXTENSION CONNECTORS



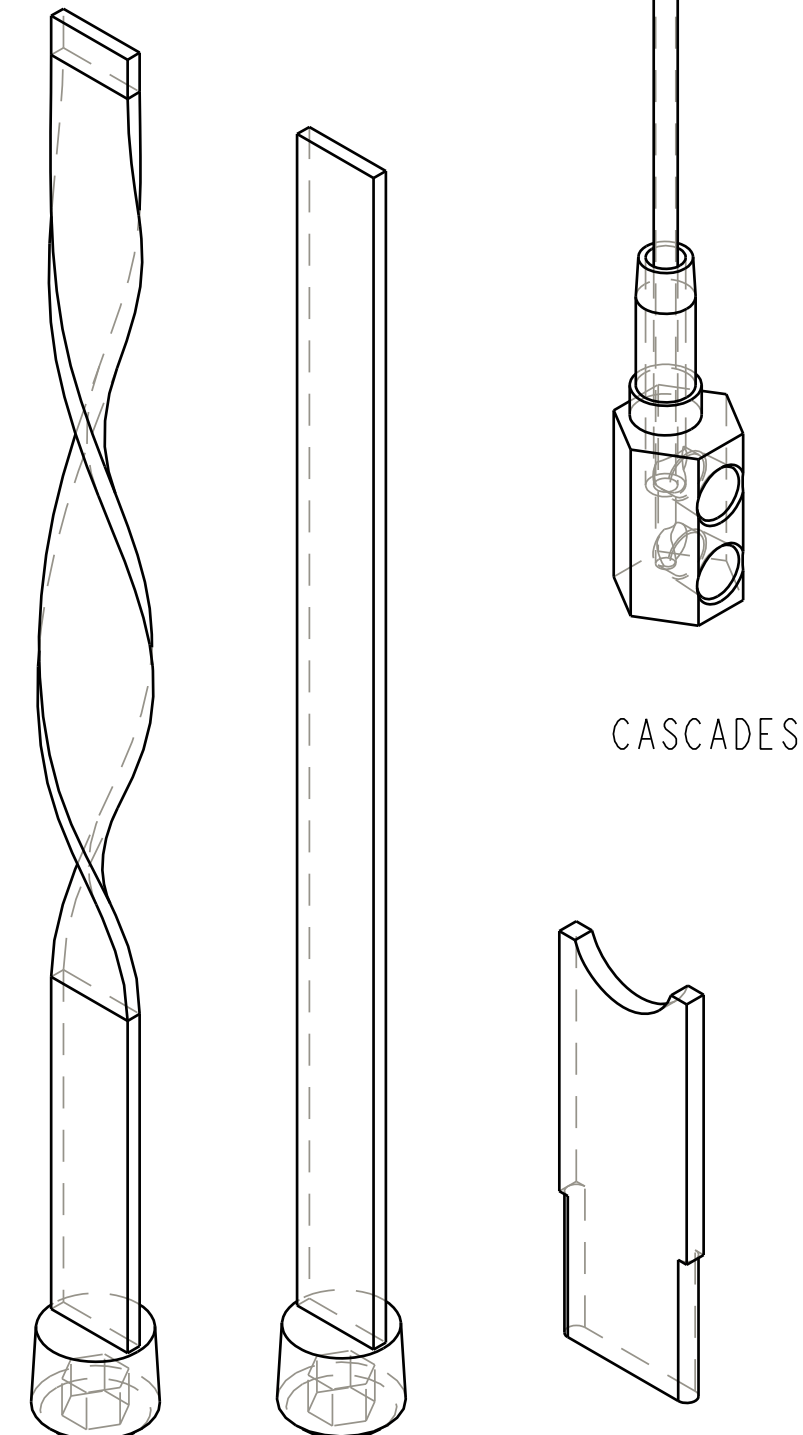
ELBOWS



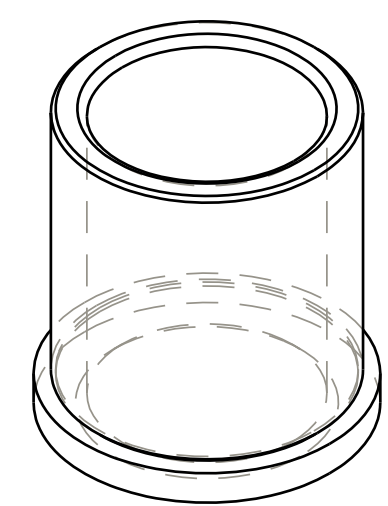
CASCADES



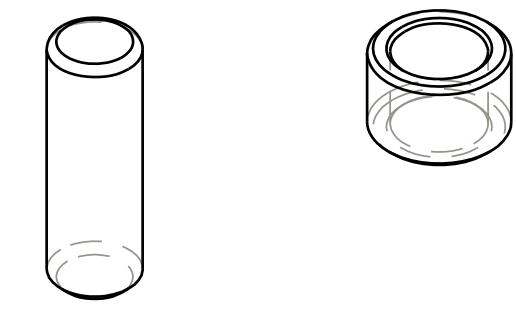
BUBBLER TUBES



BAFFLES STRAIGHT & TURBO



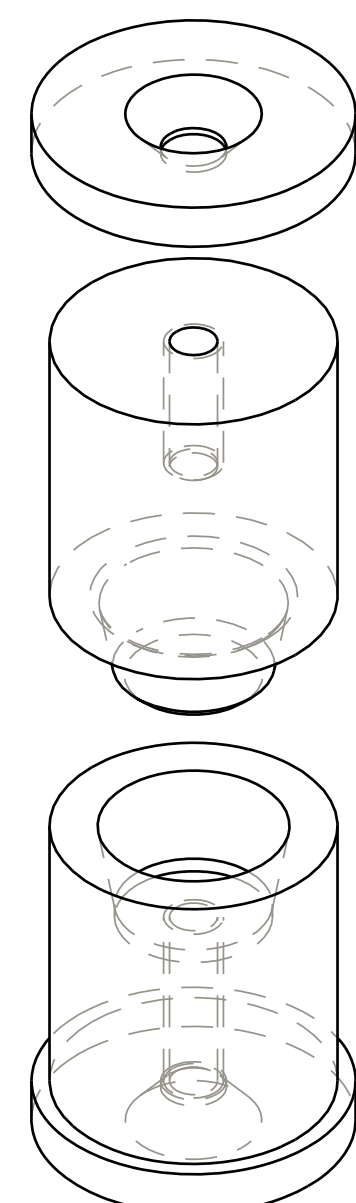
SHOULDER BUSHINGS



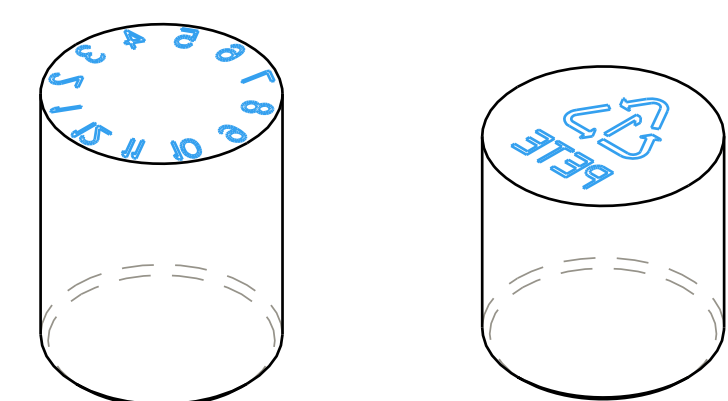
STANDARD AND TUBULAR DOWELS



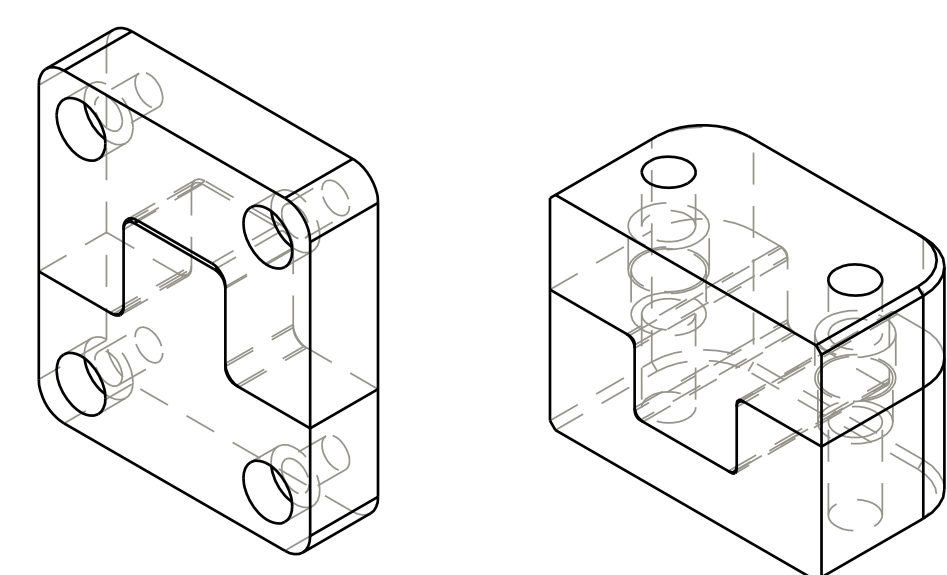
GREASE ZERK FITTING



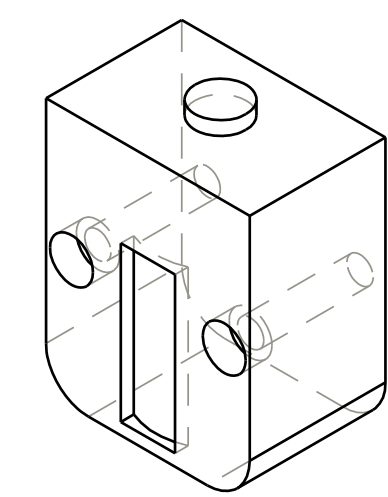
TAPER, SIDE, AND TOP LOCKS



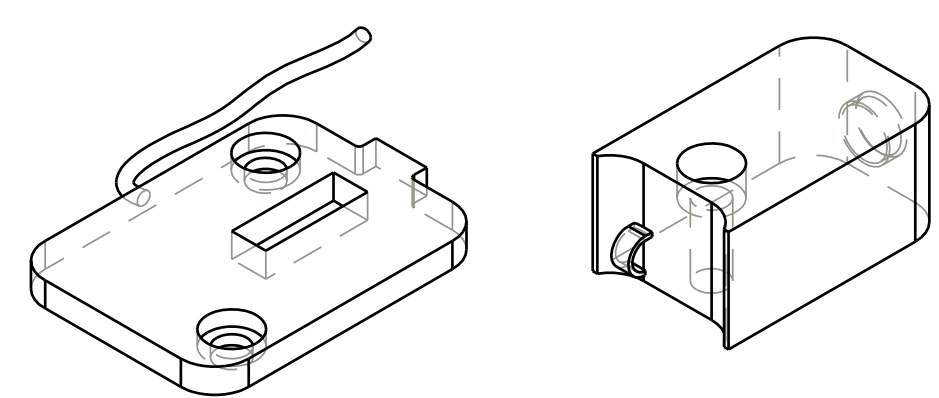
DATE AND RECYCLE INSERTS



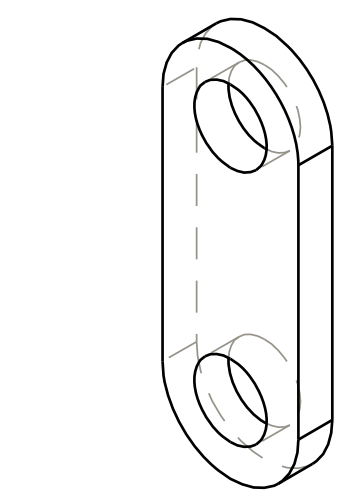
LOCATING RINGS



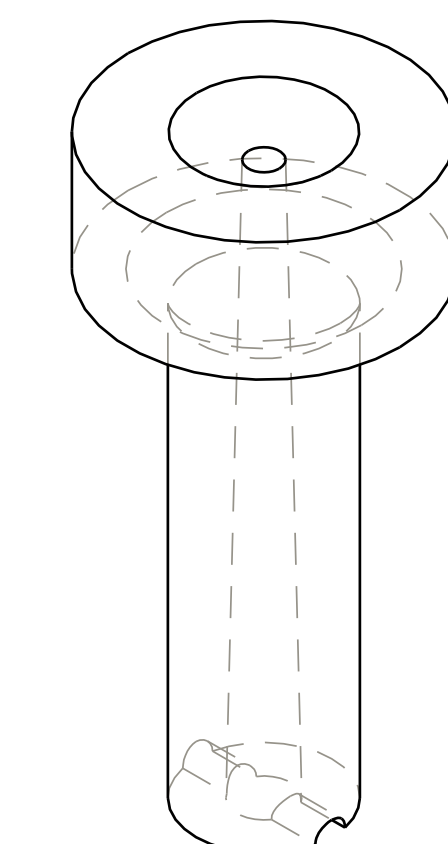
SHOT COUNTER



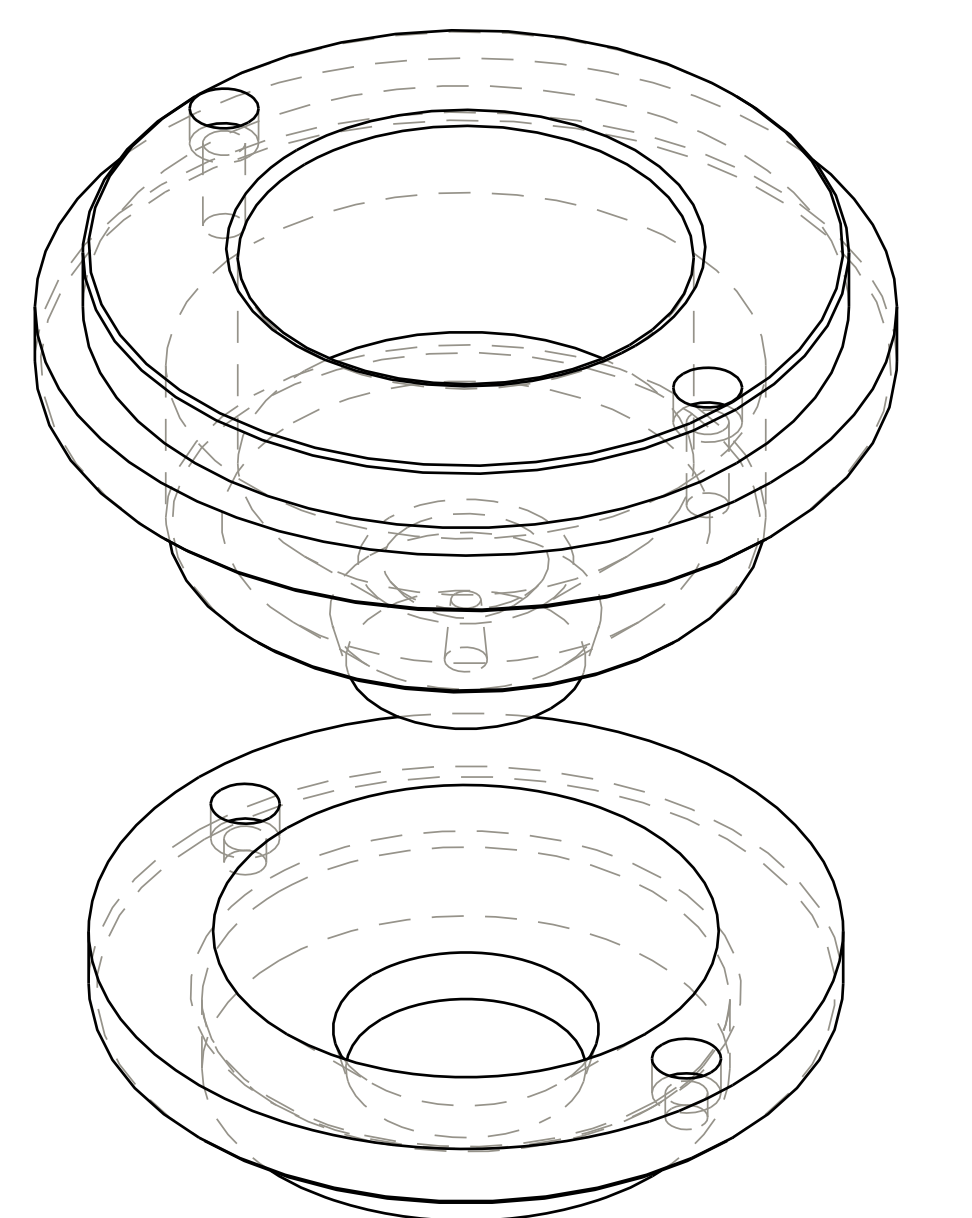
EJECTOR & SLIDE SWITCHES



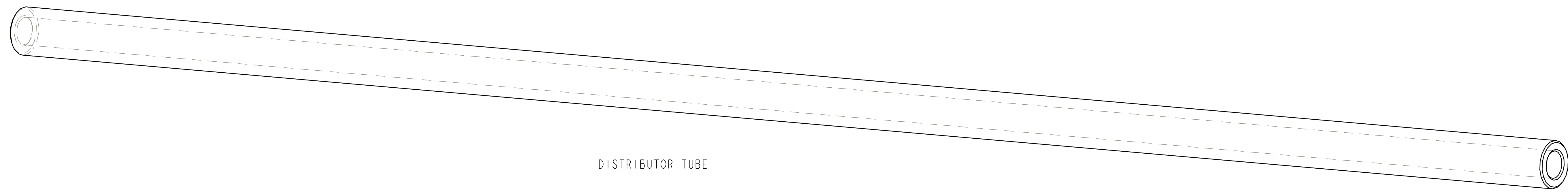
PARTING LINE STRAP



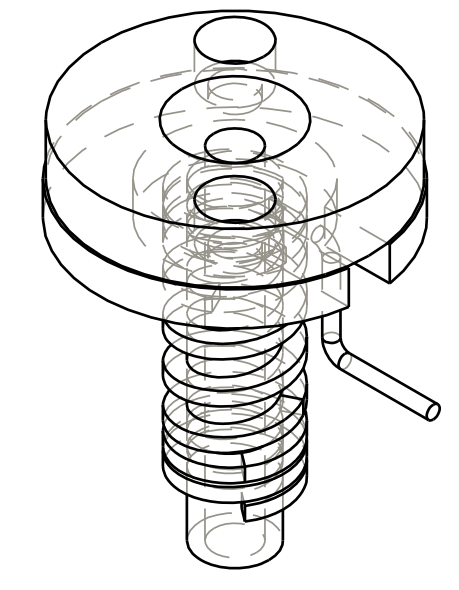
SPRUE BUSHINGS



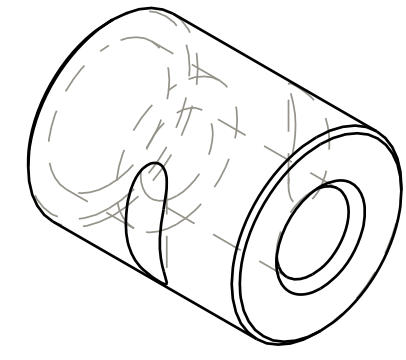
EXTENDED NOZZLE BUSHINGS



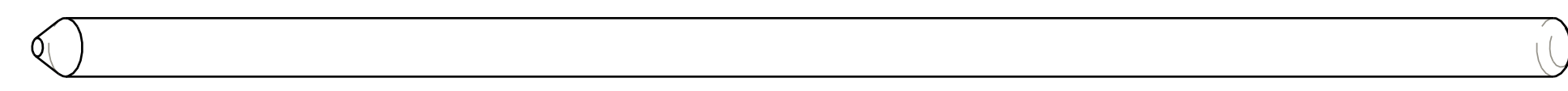
DISTRIBUTOR TUBE



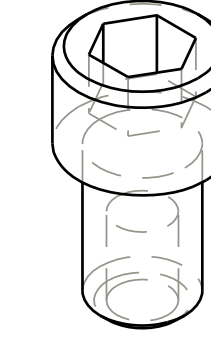
COOL ONE SPRUE BUSHING



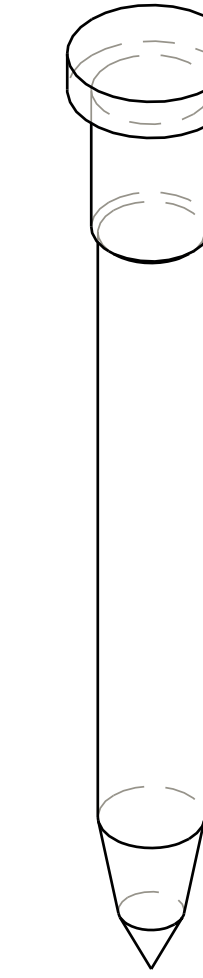
END CAP



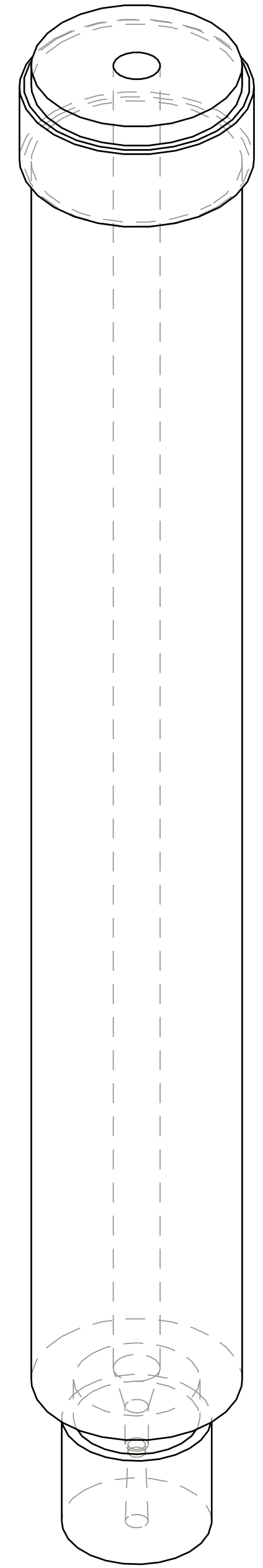
HEATER STOP



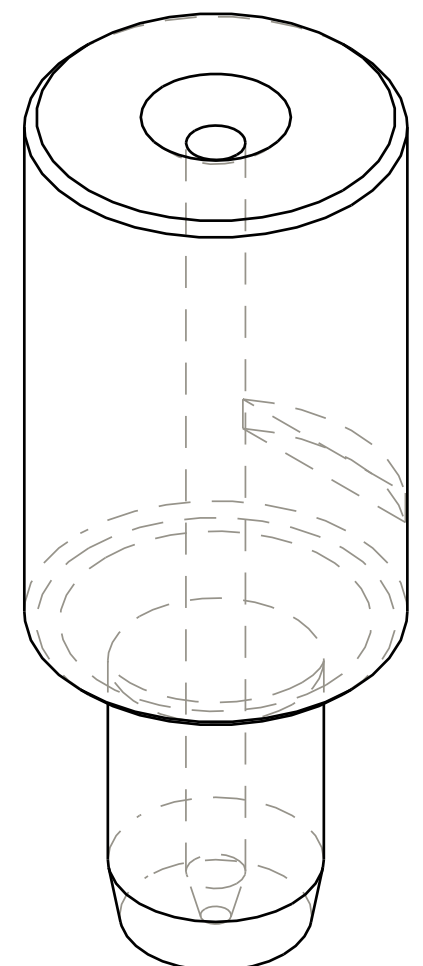
HEATER STOP CAP SCREW



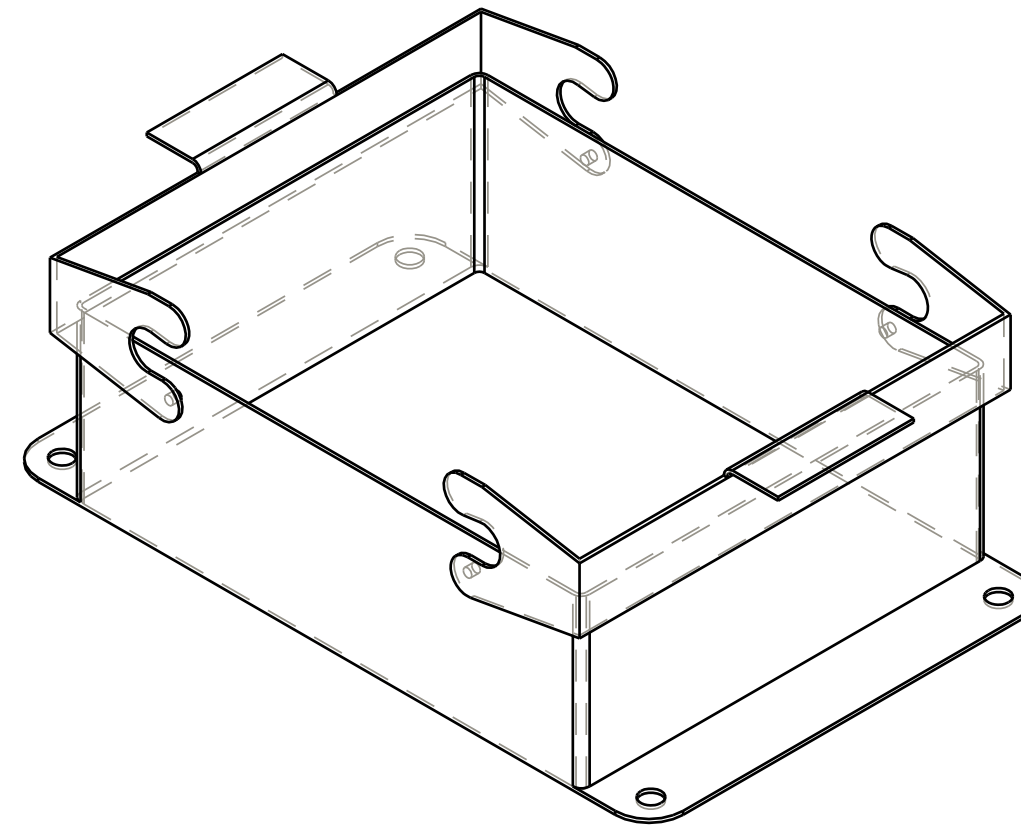
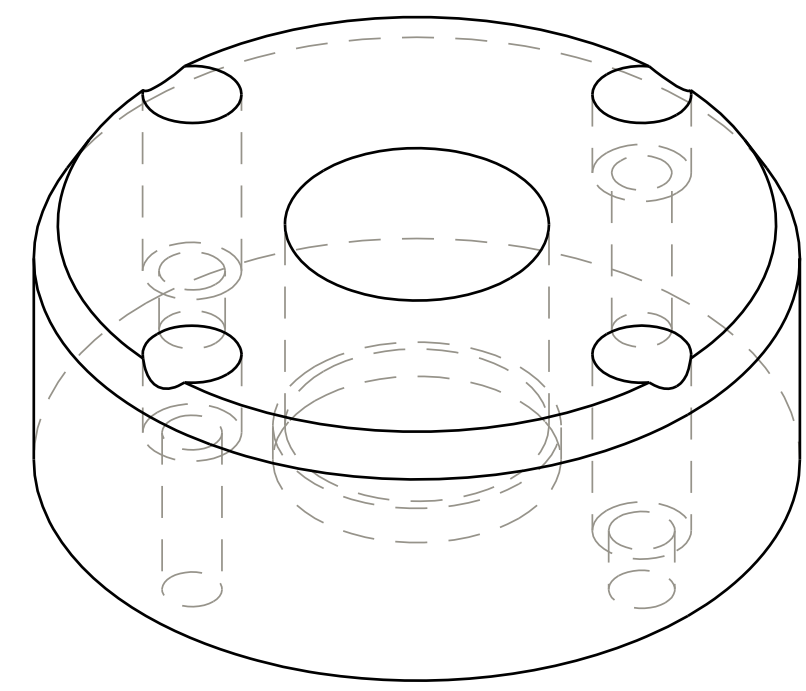
PROBE



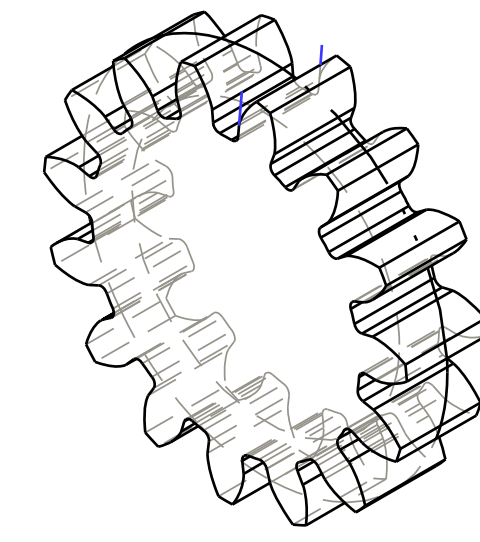
KONA HOT DROP



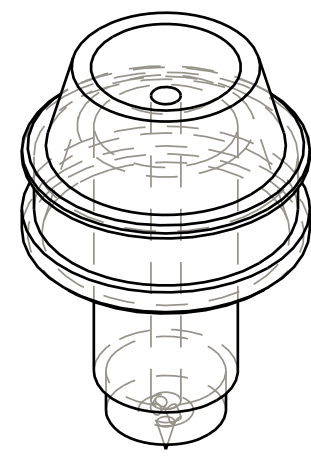
STRAIGHT SHOT HOT SPRUE BUSHING



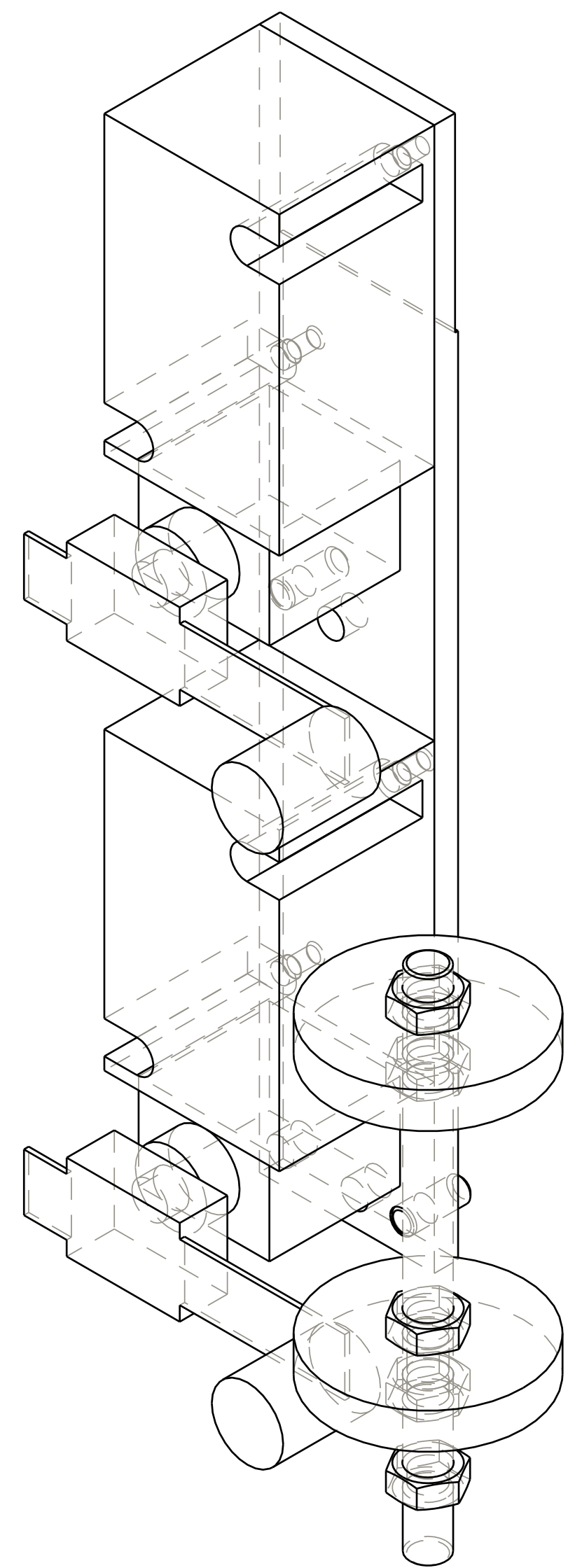
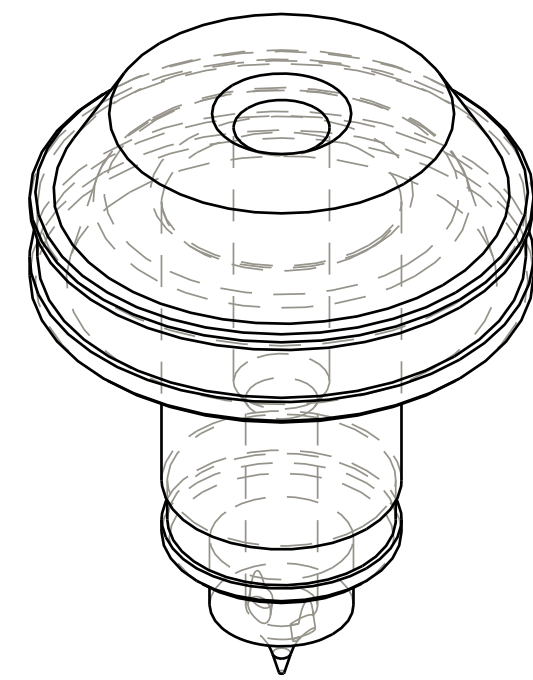
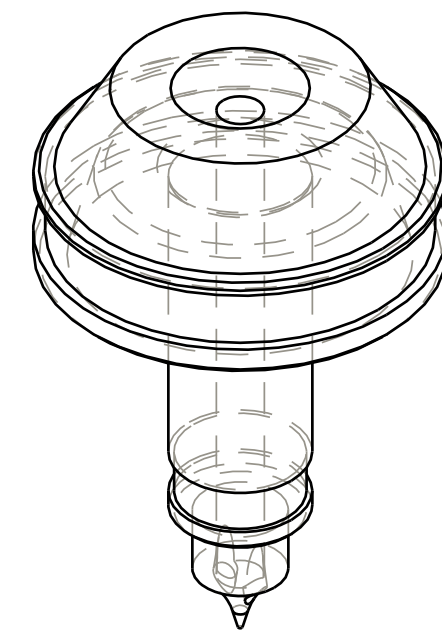
CONNECTOR BOX



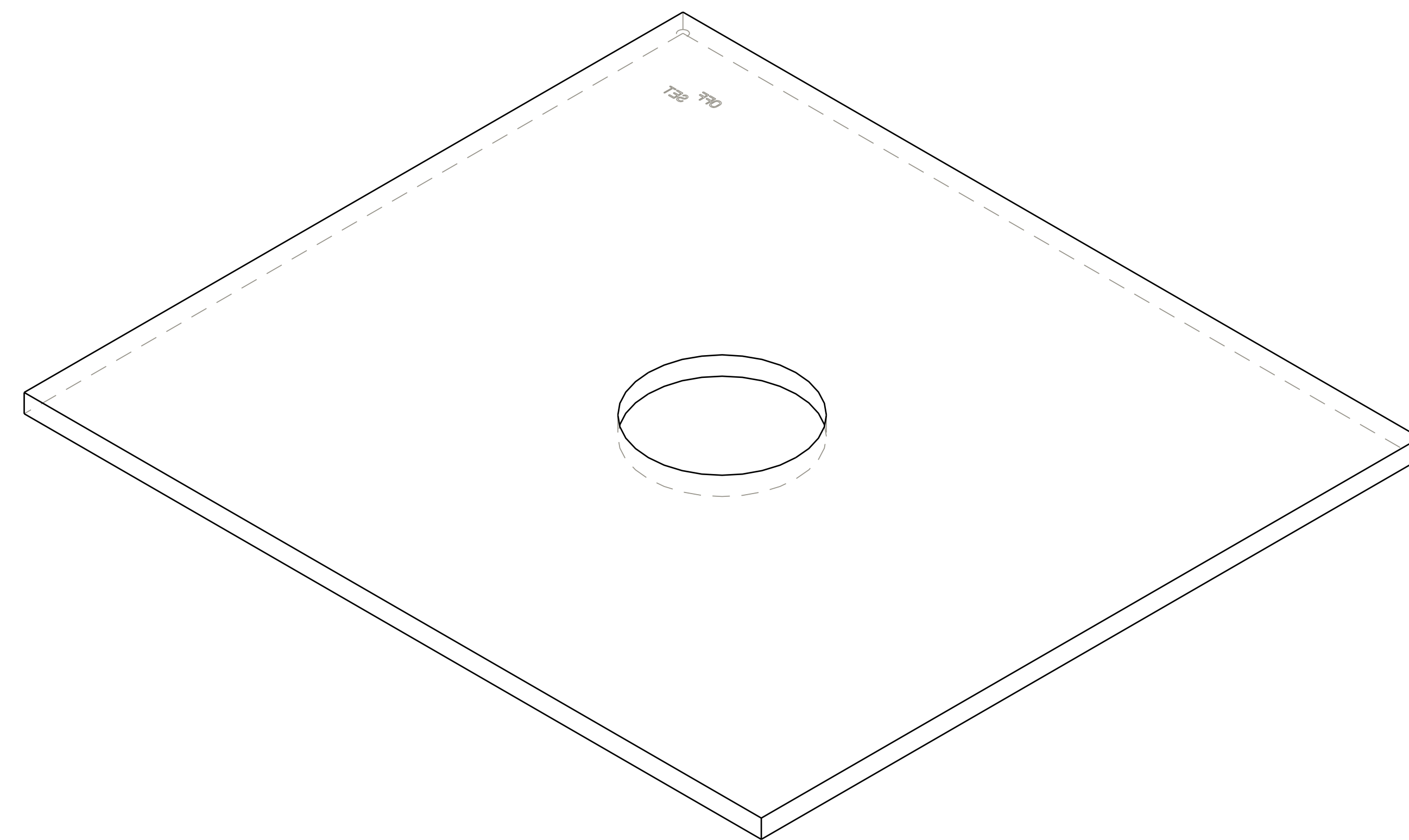
INVOLUTE GEAR BLANK



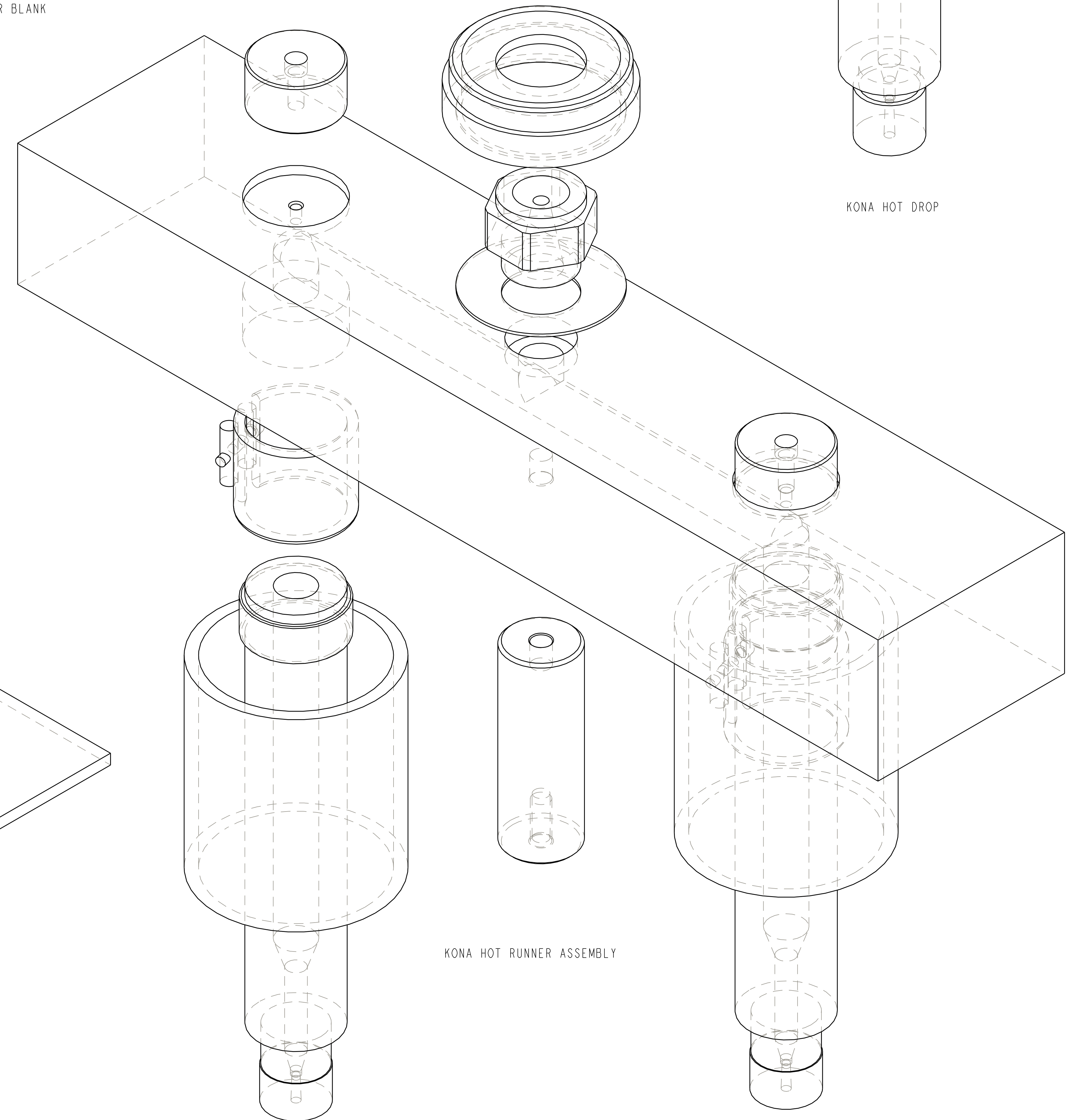
MINI, MEDIUM AND JUMBO GATE MATE HOT SPRUE BUSHING



TWO POSITION LIMIT SWITCH ASSEMBLY



INSULATOR SHEET



KONA HOT RUNNER ASSEMBLY