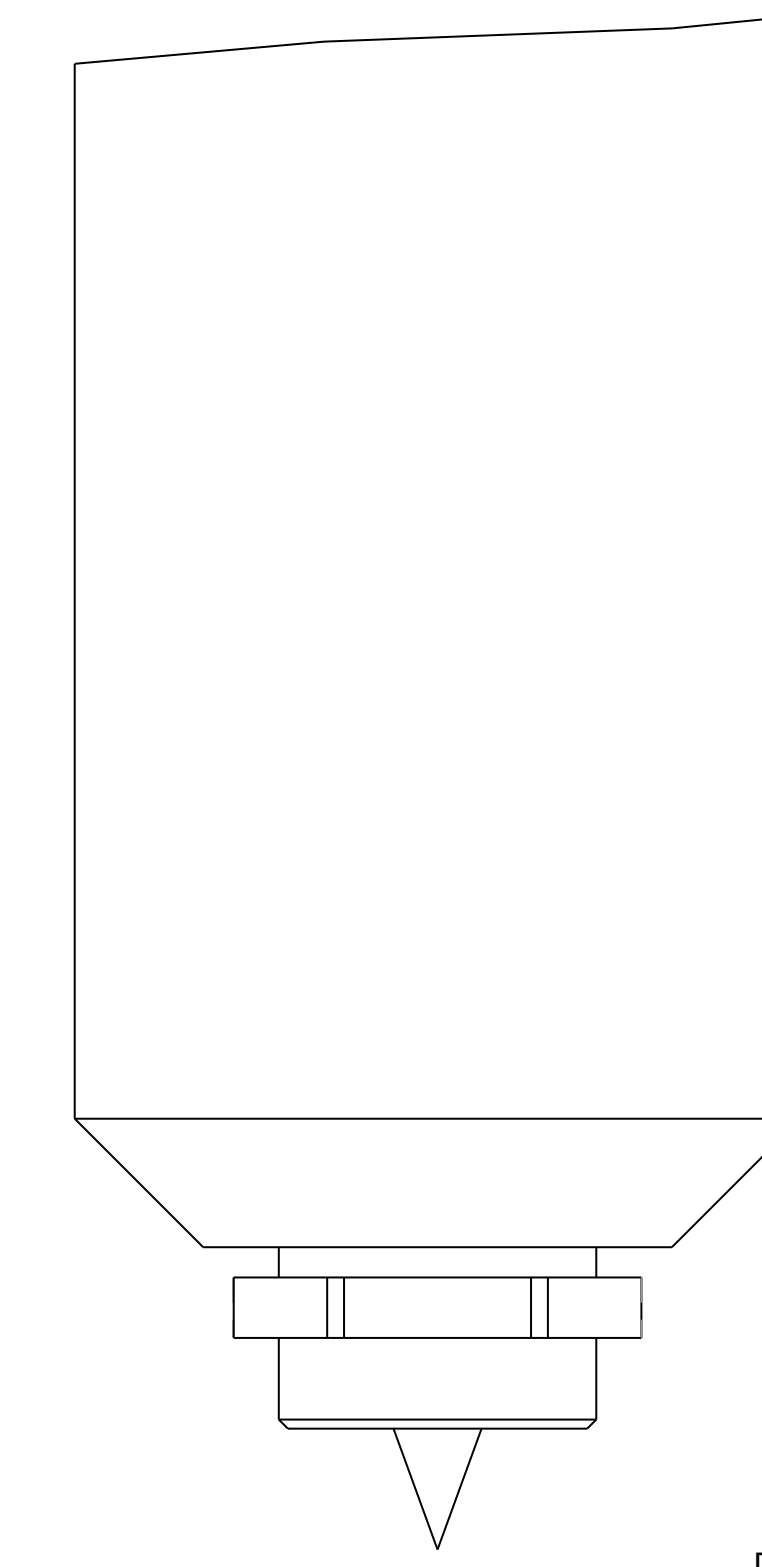
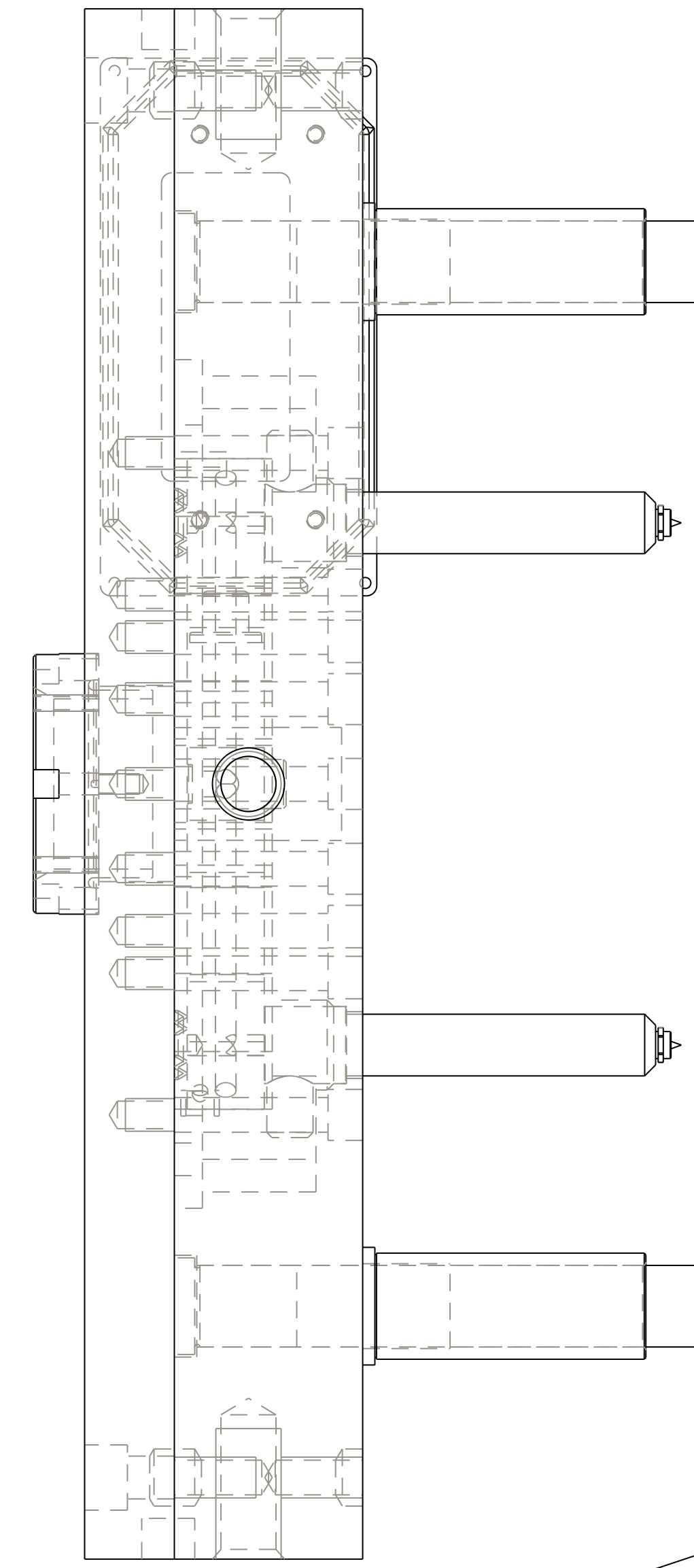
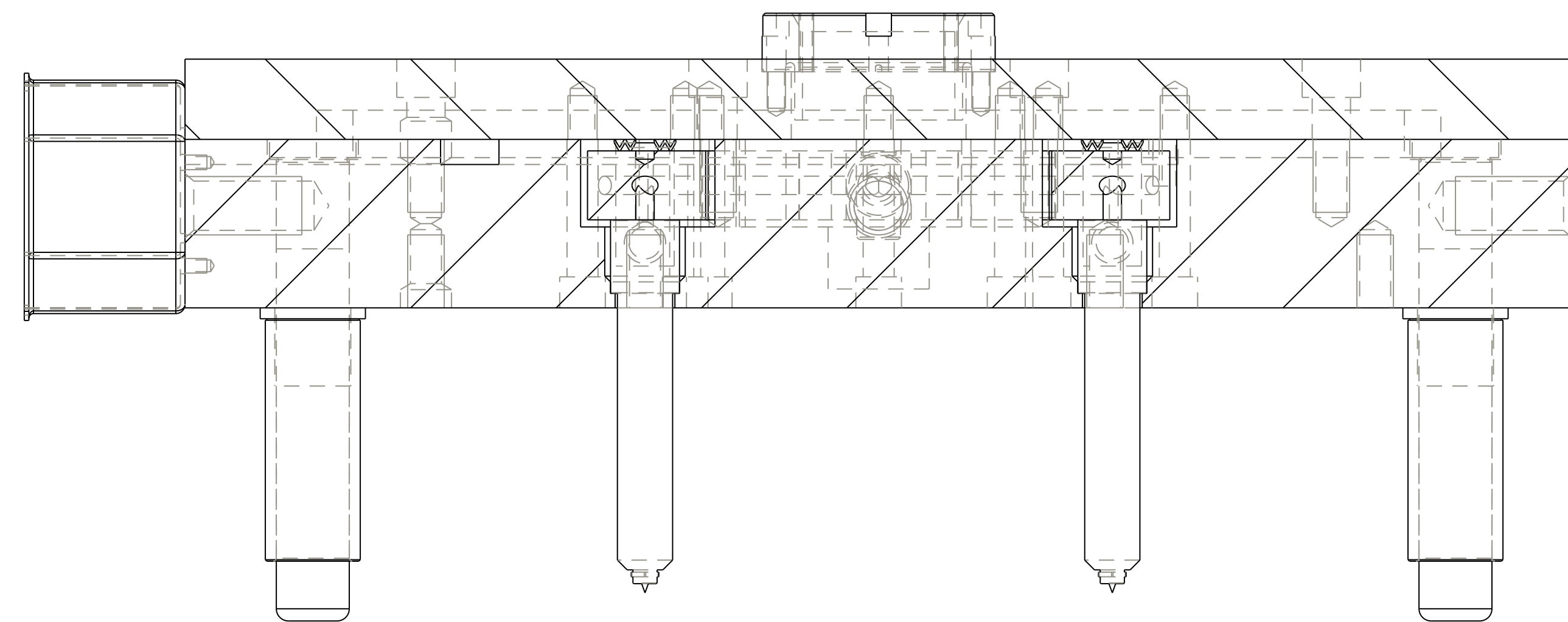
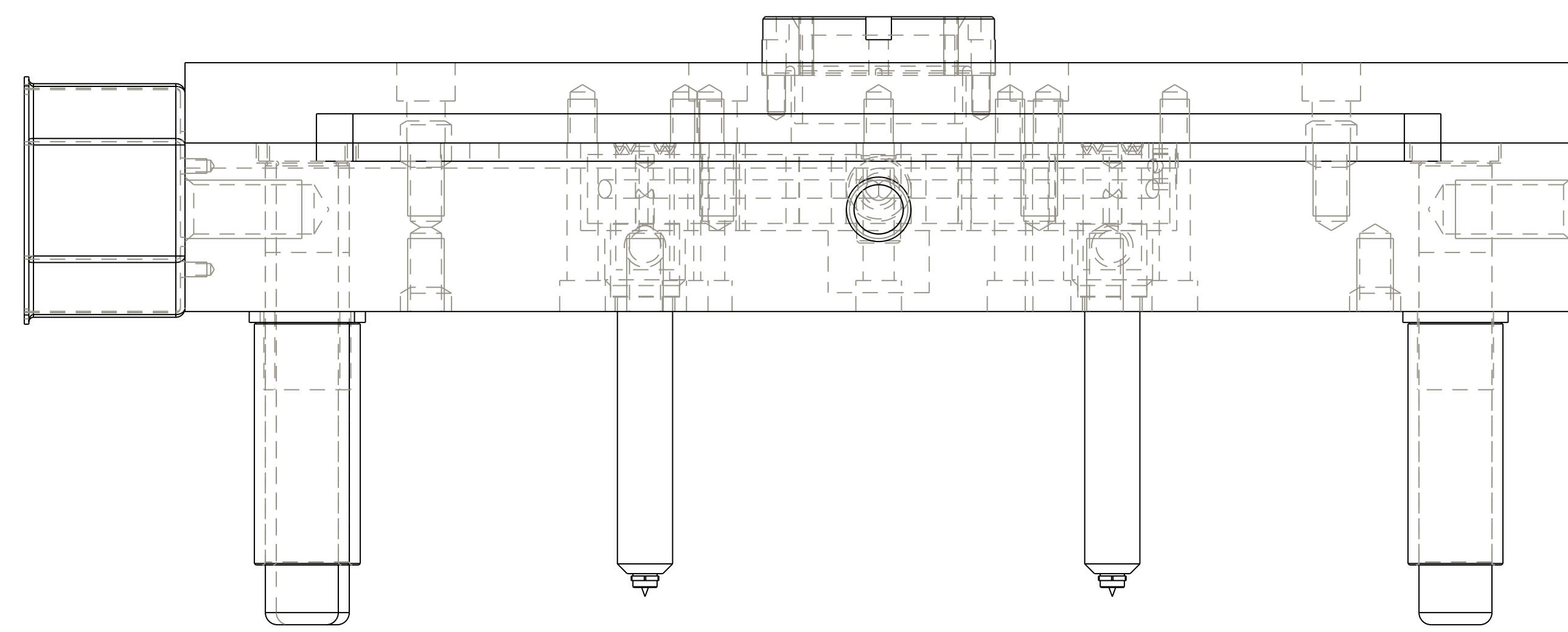
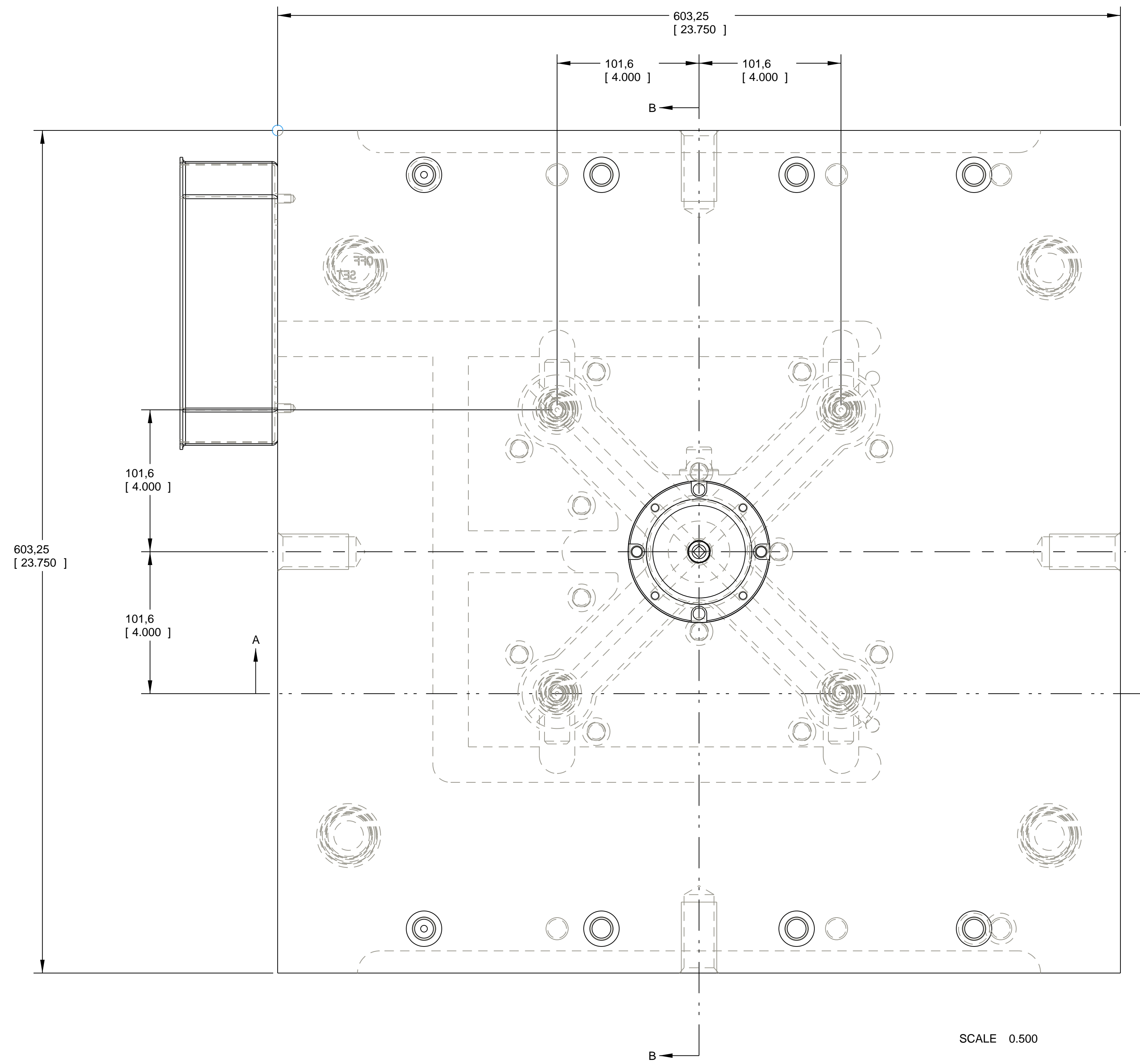
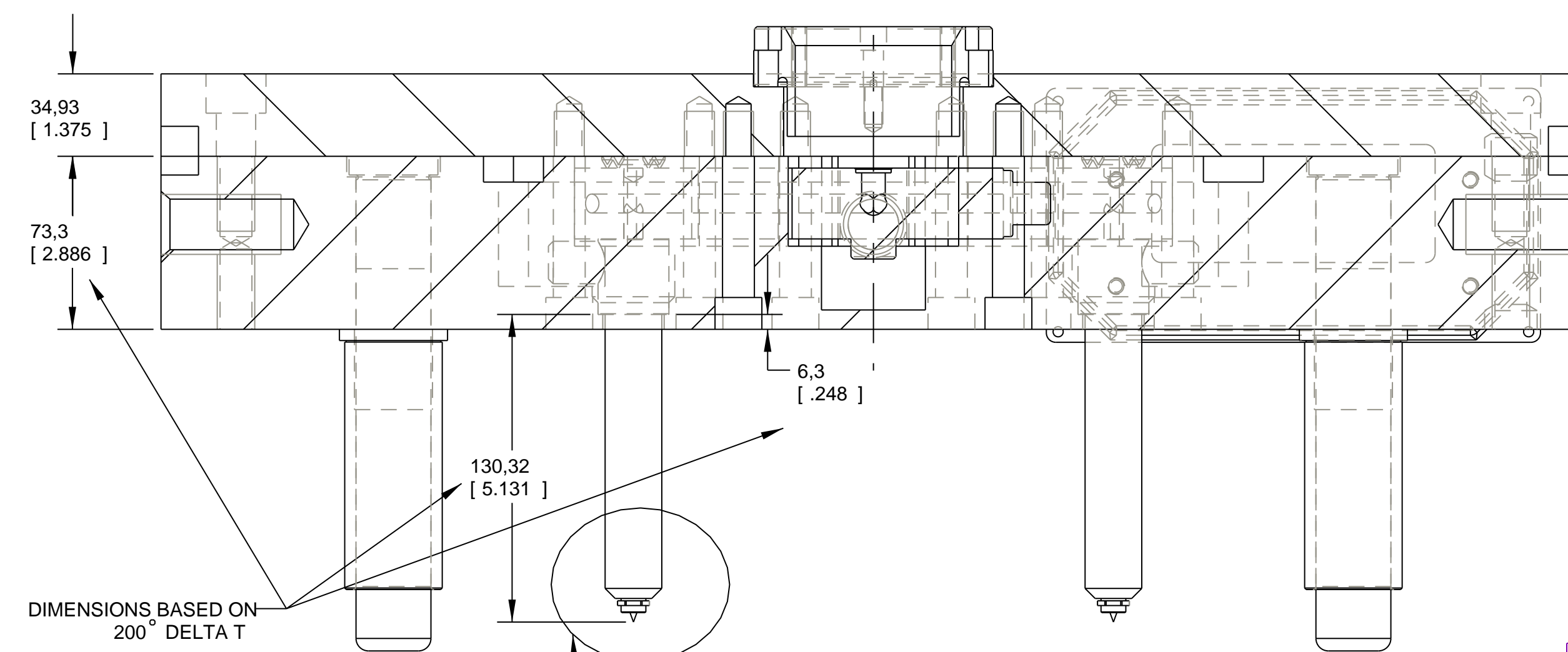
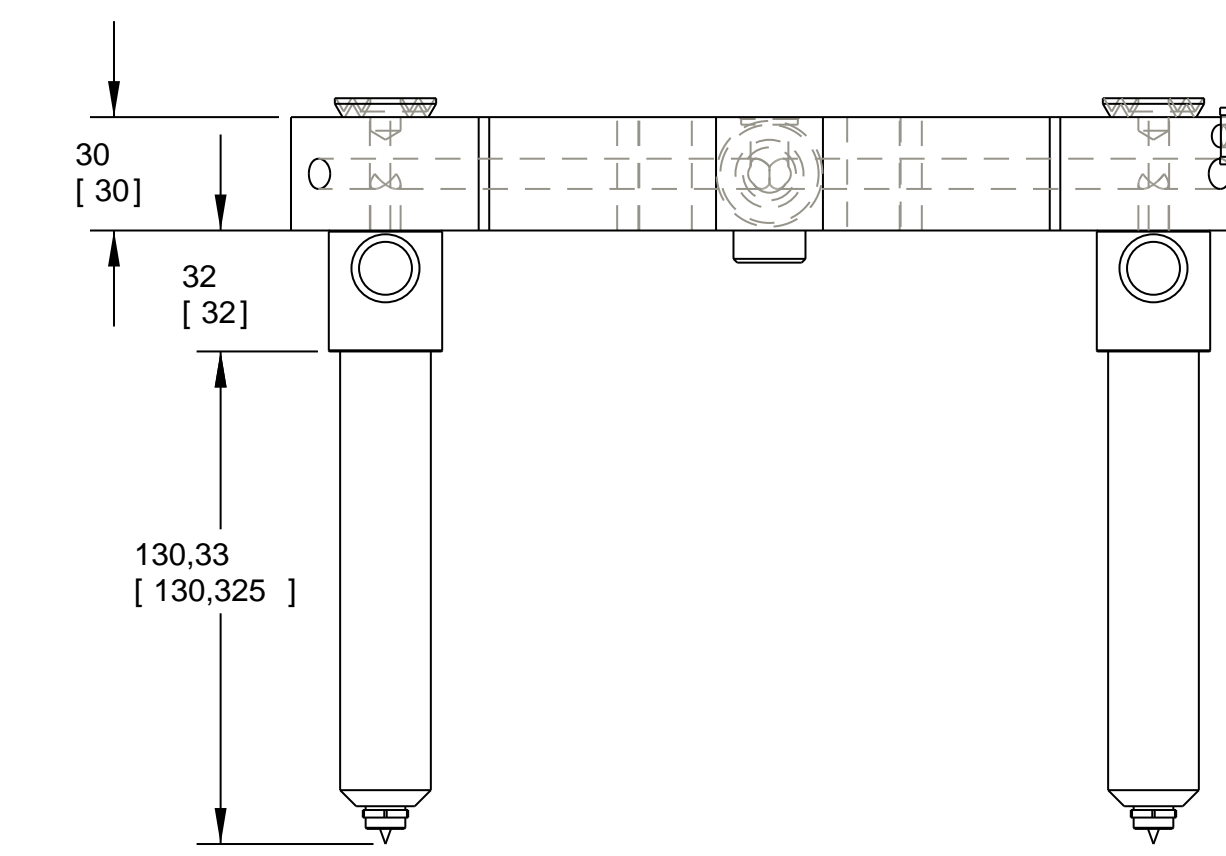
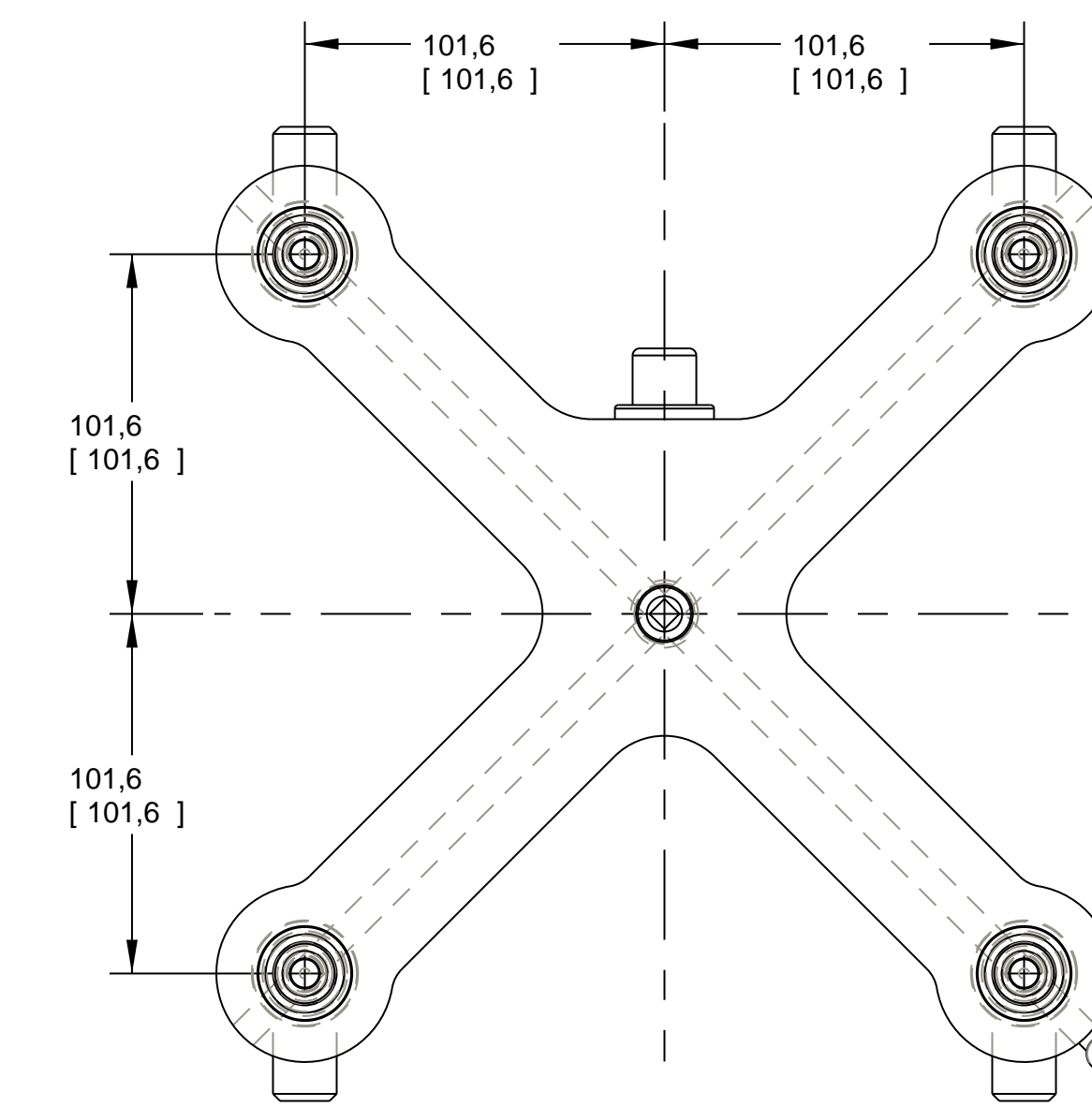


TOP OF MOLD



DETAIL TIP  
SCALE 4.000



MANIFOLD INFORMATION  
DCX STYLE 4 NOZZLE MANIFOLD  
DC E-TYPE TORPEDO TIP STYLE  
GATE INTO PART  
L = 130 MM

TOLERANCES UNLESS OTHERWISE SPECIFIED  
2 PLACE ±.01  
3 PLACE ±.002  
4 PLACE ±.0005  
UNSPECIFIED R  
UNSPECIFIED DRAWT  
STAMP STEEL TYPE AND HARDNESS ON PART  
THIS - INDICATES DWG NOT TO SCALE  
ROUND ALL UNNECESSARY SHARP CORNERS

ITEM	QTY	DESCRIPTION	FINISHED SIZE	MATL	HEAT TREAT	SHT
						DELIVERY DATE
						XX
<b>FOUR CAVITY INJECTION MOLD MANIFOLD ASSEMBLY</b>						XXXXXX
DRAWN BY S. ALEXANDER		SCALE 1:2	JOB NUMBER XXXXXX	SHEET 1	OF 1	
DATE DRAWN xx-xx-xx		SHRINKAGE .014 IN/IN				
						***